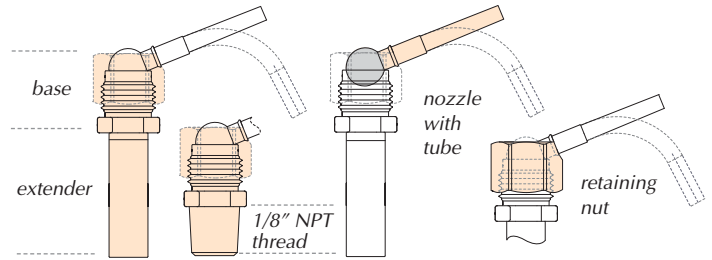
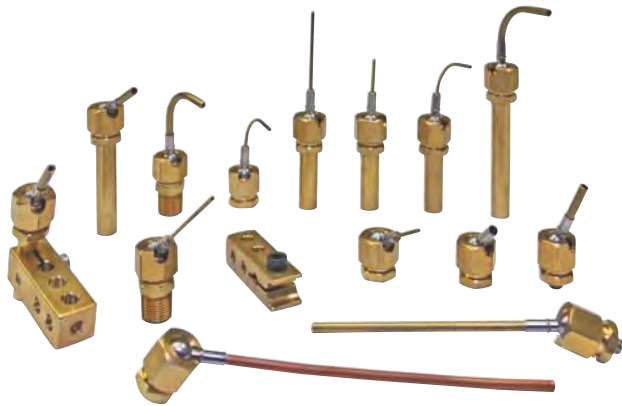




# AIR JETS



## Air Jet Bases & Extenders\*

### Order No.

- AJB-F Base with #10-32 Female Thread, No Extender
- AJB-N Base with #10-32 Male Thread, No Extender
- AJB-P Base with 1/8" NPT Thread, No Extender
- AJB-10 Base with #10-32 Female Thread, 1" Extender
- AJB-15 Base with #10-32 Female Thread, 1.5" Extender
- AJB-20 Base with #10-32 Female Thread, 2" Extender

\* All come complete with retaining nut. Nozzles ordered separately below

## Air Jet Nozzles

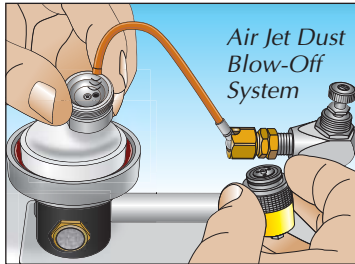
- AJT-B Ball Nozzle Only
- AJT-1S1 Ball Nozzle with 1/32" ID Straight Brass Tube, 1"
- AJT-1S2 Ball Nozzle with 1/32" ID Straight Brass Tube, 2"
- AJT-1S3 Ball Nozzle with 1/32" ID Straight Brass Tube, 3"
- AJT-2S1 Ball Nozzle with 1/16" ID Straight Brass Tube, 1"
- AJT-2S2 Ball Nozzle with 1/16" ID Straight Brass Tube, 2"
- AJT-2S3 Ball Nozzle with 1/16" ID Straight Brass Tube, 3"
- AJT-3S1 Ball Nozzle with 3/32" ID Straight Brass Tube, 1"
- AJT-3S2 Ball Nozzle with 3/32" ID Straight Brass Tube, 2"
- AJT-3S3 Ball Nozzle with 3/32" ID Straight Brass Tube, 3"
- AJT-2F4 Ball Nozzle with Flexible Copper Tube, 4" 1/16" ID only)
- AJT-1N Ball Nozzle with 1/32" ID 90° Tube
- AJT-2N Ball Nozzle with 1/16" ID 90° Tube
- AJT-3N Ball Nozzle with 3/32" ID 90° Tube

## Accessories

- AJK Air Jet Kit (see web site for details)
- AJS Mounting Squeeze Block
- 27801-PKG Retaining Nut

Air jets are used extensively within the manufacturing environment. They are designed to deliver a concentrated flow of air or liquid to a specific location. They are used in blow-off, cleaning, drying, part ejecting, and cooling applications. Clippard's new line provides a wide variety of nozzles, bases, and mounting hardware to accomplish these functions in a simple, cost-effective way. By selecting the

appropriate orifice size, the nozzle can deliver anywhere from a large blast to a small pin-point stream of air, water, or oil. Nozzles can be easily aimed and locked into position for precise delivery of air or liquid. Nozzle tubes are interchangeable.



**Medium:** Air, gases, water, compatible cooling fluids

**Materials:** Corrosion-resistant brass and stainless steel

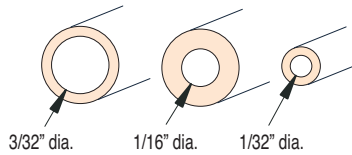
**Ports:** #10-32 male, #10-32 female, 1/8-27 NPT

**Pressure Range:** Up to 200 psig

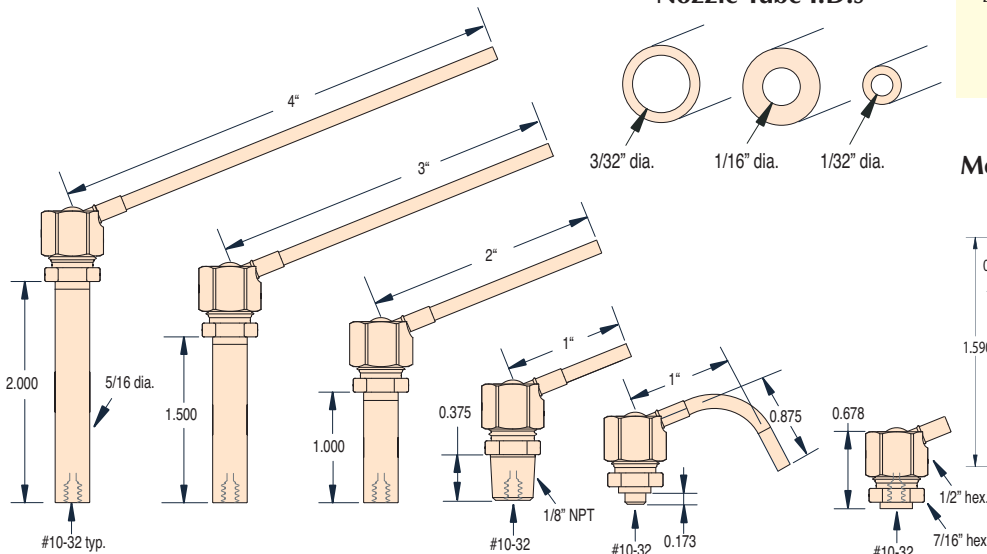
**Mounting:** Mounting squeeze block, direct-mount

**Temperature Range:** 32 to 180°F (0 to 82°C)

## Nozzle Tube I.D.s



Blank ball nozzles are available to allow customers to install their own special nozzle tubes. Consult Clippard with requirements.



## Mounting Squeeze Block

